

Simple, comprehensive solutions for the Hemostasis Laboratory



Routine, specialty and STAT assays on compact, convenient and easy-to-use systems.

ACL Elite Pro systems – Unique combination of process automation, maximizing walk-away time.

ACL Elite systems – Same robust testing capability for the smallest laboratories in the network.



ACL elite[®]
Family

- **Random-access processing** for minimized turnaround time
- **STAT PT and aPTT available** in as little as eight minutes
- **Barcoded reader for reagents** (standard on ACL Elite Pro system)
- **Superior walk-away capacity** for 40 samples and up to 260 cuvettes onboard
- **STAT Interrupt and continuous sample loading** for uninterrupted testing capability
- **Integrated color touchscreen**
- **Intuitive software** streamlines system operation
- **Proven and reliable mechanics** for robust operation with minimal maintenance
- **Comprehensive test menu** makes specialty testing as simple as routine testing

Simplicity in Hemostasis testing

Sample Processing



Accommodates samples of various size and fill volume.

- Removable tray accommodates sample cups and primary tubes of varying sizes and fill volumes
- Onboard barcode reader ensures accurate sample identification
- STAT samples entered at any time in any position on the tray
- One-touch run initiates processing with the press of a button
- User-defined Reflex testing rules allows user to set lab-specific testing protocols for increased flexibility

Reagent Handling



External barcode reader identifies material and checks the lot number and expiration date.

- Accommodates up to 22 reagents
- Reagents can be aspirated directly from the vial
- All reagent positions monitored for volume and onboard stability
- Handheld barcode reader for reagent vial identification (standard on ACL Elite Pro system)

Reliability



Simple mechanics for reliable performance.

- Proven centrifugal technology
- Simple and reliable mechanics
- Minimal maintenance

Efficiency at every step

Dilutors

Unique solid-state fluidic dispensing system for precision and accuracy.

Reagent Area

Refrigerated reagent positions (8 on ACL Elite system, 12 on ACL Elite Pro system).

Wash-R Bottle

Continuous real-time monitoring of liquid level performed through a sensor system, with Wash-R Emulsion.

Sample Tray

Holds up to 40 primary tubes/cups and 10 additional reagents.

Reagent Adapters Storage Area

Keyboard

In sliding drawer below the unit.



Touchscreen

One-touch start. Screen tilts for easy positioning.

USB Flash Drive

Back-up, restore, software upgrades, export functions (*i.e.*, patient data, QC data, reaction curves) via USB drive.



Rotor Stack

Temperature-controlled, stores up to 12 rotors, which can be loaded continuously.

Analysis Area

Two channels: 660 nm for clotting assays; 405 nm for chromogenic and immunological assays.

Rotor Exchange Module (ACL Elite Pro system only)

Cuvette flow managed by transport and robotic arm mechanisms, allowing walk-away capability.

Probe and Sensors

Two needles for sample and reagent aspiration/dispensation with capacitance liquid sensors.

Rotor Waste Container

Operator-safe and easily accessible.



Complete quality management, simplified

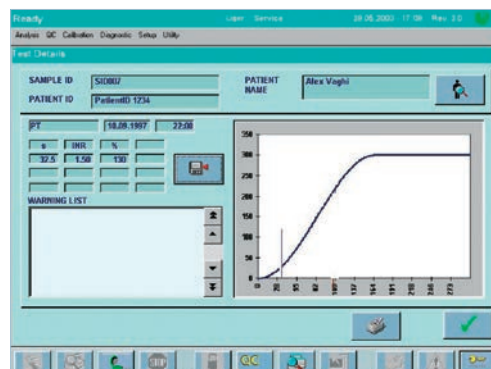
Test Analysis

- Centrifugal analysis provides outstanding precision
- Multiple reading systems optimize efficiency
- Continual monitoring of reagents, rotors, solutions and waste area for efficient lab operations
- Automated rotor transport from preheat station to analysis area (and when rotor is completely used, to waste bin) for increased walk-away capability*

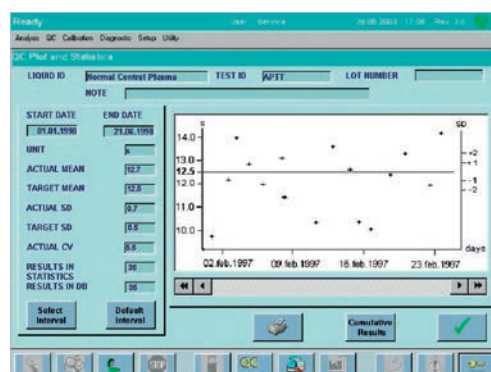
Software Capabilities

- Clot-signature curves generated through superior optics provide clotting and absorbance tracking for all reactions
- User-defined Rerun and Reflex criteria
- Calibrations can be performed in-run with patient samples
- Customizable system security allows user traceability
- USB allows system settings to be exported and saved
- Bi-directional host interface with host query
- Fully automated factor parallelism
- Customizable audible alerts

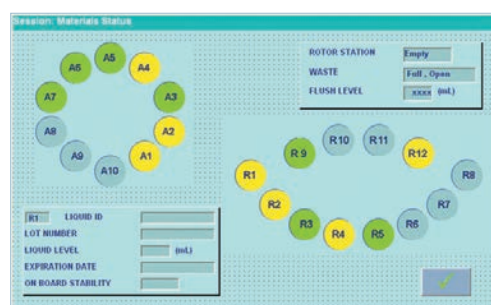
* ACL Elite Pro system only.



Patient results in a single record, including reaction-curve.



Levey-Jennings graphs can be viewed and printed for complete QC monitoring.



Material map provides reagent status.

Comprehensive Assay Menu

HemosIL Assays

ACL Elite systems are optimized to operate with a comprehensive panel of HemosIL assays. Together, they offer a complete disease-state management solution.

General Screening and Anticoagulant Monitoring

- PT RecombiPlasTin 2G
- PT-Fibrinogen-HS Plus
- PT-Fibrinogen
- ◆ APTT SynthASil®
- ◆ APTT-SP
- APTT SynthAFax®
- Fibrinogen-QFA
- Fibrinogen-Clauss
- Thrombin Time (TT)
- Pro-IL-Complex*
- Hepatocomplex*
- ◆ Liquid Anti-Xa

Lupus Anticoagulants

- dRVVT Screen and dRVVT Confirm
- ◆ Silica Clotting Time

Coagulation Factors and VWF

- FII, FV, FVII, FX Deficient Plasma
- FVIII, FIX, FXI, FXII Deficient Plasma
- Chromogenic FVIII
- ◆ von Willebrand Factor Antigen
- von Willebrand Factor Activity

DVT and PE Diagnosis

- D-Dimer

Other Specialty Assays

- Plasminogen
- Plasmin Inhibitor

Thrombophilia Screening

- ◆ Antithrombin
- Protein C (chromogenic and clotting)
- Protein S (functional and antigenic)
- FV Leiden (APCR-V)
- Homocysteine

Calibrators and Controls

- Calibration Plasma
- Normal Control Plasma
- Low Abnormal Control Plasma
- High Abnormal Control Plasma
- Special Test Control Level 1
- Special Test Control Level 2
- ◆ D-Dimer Controls (Low and High)*
- Low Fibrinogen Control

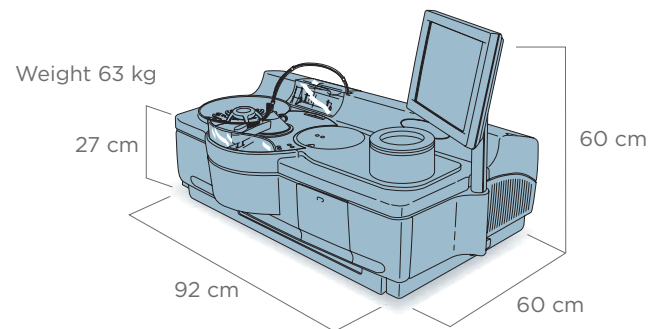
* Not FDA-cleared. Not available in all countries.

◆ = Liquid, ready-to-use format.



Technical Specifications

Coagulometric Wavelength	660 nm	Liquid Sensors (sample and reagent)	YES
Chromogenic and Latex Wavelength	405 nm	Touchscreen (graphic)	YES
Immunological Tests	YES	Automatic Printing	YES
Primary Sample Tube Sizes	13 x 64 mm, 13 x 75 mm, 13 x 100 mm, 11.5 x 64 mm, 11.5 x 92 mm	External Printer	Optional (USB or parallel)
Samples Onboard	Up to 40	ESC/P2 Emulation Protocol (for external printer)	YES
Reagents Onboard (16, 10, 4 mL vials)	ACL Elite: 18 ACL Elite Pro: 22	HP-PCL Emulation Protocol (for external printer)	YES
Cuvettes Onboard	ACL Elite: 20 ACL Elite Pro: 260	ASTM Bidirectional Interface	YES
Onboard Barcode Reader	YES	Automatic Downloading (host query)	YES
Sample Predilution	YES	Automatic Uploading	YES
Automated Curve Predilution	YES	Mouse	YES
STAT Capability	YES (integrated)	Throughput (tests/hour)	
Automated Sample Loading	YES	PT/Fib (PT-based)	Up to 150
Automated Rotor Loading	ACL Elite: N/A ACL Elite Pro: YES	APTT	Up to 110
Patient Data Storage	30,000 tests (1,000 samples x 30 tests)	PT/Fib (PT-based)/APTT	Up to 120
Quality Control	50 controls x 20 tests (750 files x 500 results)		
Analytical Reference	YES		
Reaction Curves Displayed	YES		
Rerun and Reflex Tests	60 rules, 3 criteria each, 10 reflex tests/rule		



Werfen

Corporate Headquarters

Plaza de Europa, 21-23
08908 L'Hospitalet de Llobregat
Barcelona, Spain
+34-93-4010101
werfen.com

Instrumentation Laboratory Headquarters

180 Hartwell Road
Bedford, MA 01730 USA
+1-781-861-0710
instrumentationlaboratory.com

Worldwide Locations

The Americas

Brazil
São Paulo
+55-11-41543337
br.werfen.com

Canada
Richmond Hill, ON
+1-800-552-2025 x6115
instrumentationlaboratory.com

Colombia
Bogotá
+57(1)-616-7513

Mexico
Mexico City
+52-55-5262-1760
mx.werfen.com

Uruguay
Montevideo
+5982-481-81-33

USA
Bedford, MA
+1-781-861-0710
instrumentationlaboratory.com

Asia-Pacific

Australia
Sydney
+61-02-9098-0200
au.werfen.com

China
Beijing
+86-10-59756055
Hong Kong
+852-2792-7773
Shanghai
+86-21-66308671
cn.werfen.com

India
New Delhi
+91-490-29-550
in.ilwerfen.com

Japan
Tokyo
+81-3-5419-1301
jp.werfen.com

Korea
Seoul
+82-2-5719246
kr.werfen.com

Thailand
Bangkok
+66-271-226-28/9

Europe

Austria
Vienna
+43-1-256-58-000
at.werfen.com

Belgium
Brussels
+32-2-7252052
benelux.werfen.com

Czech Republic
Prague
+420-246-090-931
cz.werfen.com

France
Paris
+33-182-30-86-00
fr.werfen.com

Germany
Munich
+49-89-909070
de.werfen.com

Hungary
Budapest
+36-1-882-73-10
hu.werfen.com

Italy
Milan
+39-02-25221
it.werfen.com

Lithuania
Kaunas
+370-37-313157
lt.werfen.com

The Netherlands
Breda
+31-76-5480100
benelux.werfen.com

Poland
Warsaw
+48-22-336-18-00

Portugal
Lisbon
+351-214247312
pt.werfen.com

Russia
Moscow
+7-499-124-45-59
ru.ilwerfen.com

Spain
Barcelona
+34-902-20-30-90
es.werfen.com

UK
Warrington, England
+44-1925-810141
uk.werfen.com

For all other countries visit
international.werfen.com